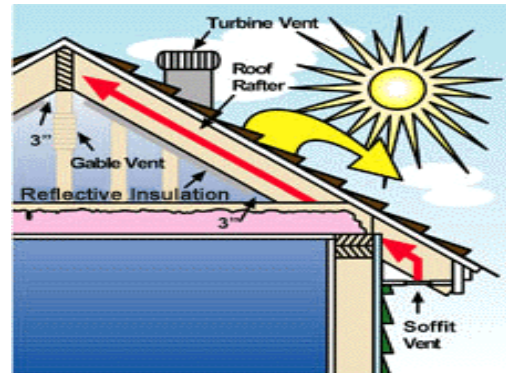
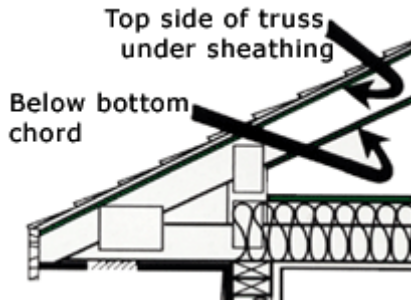




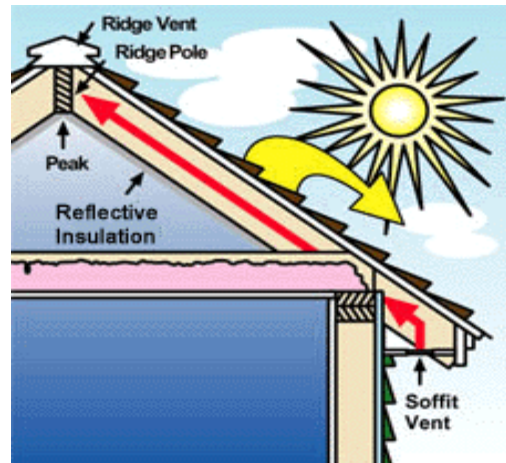
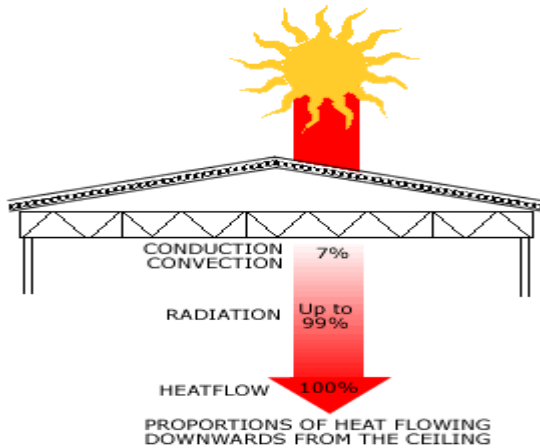
# American Dream™ Attic Guard

Much of the heat entering your home comes through the roof. Adding American Dream Attic Guard in your attic helps to keep your house cooler in the summer. American Dream Attic Guard is an ideal barrier to supplement the insulation already in your attic.

## Insulation Choices



American Dream Attic Guard application with a turbine or gable vent. A 3" gap along the ridge pole and at the base of the rafters (soffit) ensures enough air flow between American Dream Attic Guard and the roof deck. This applies to all vent systems other than soffit and ridge.



American Dream Attic Guard application with a soffit and ridge vent system. Install American Dream Attic Guard clear to ridge pole.

## New Construction

Carefully read over the Helpful Tips before starting.

## Existing Homes

Check the area you are insulating and make any needed repairs before installing American Dream Attic Guard. Unroll the American Dream Attic Guard as you work, and cut it to suitable lengths with scissors or utility knife. Allow for proper ventilation. See note below on ventilation.

Staple American Dream Attic Guard to the undersides of exposed rafters or between the rafters, if you have trusses.

Good ventilation in your attic increases your comfort and helps the materials of your house last longer. Be sure not to block ventilation paths when you install American Dream Attic Guard.

# American Dream™ Attic Guard 1-877-224-1447